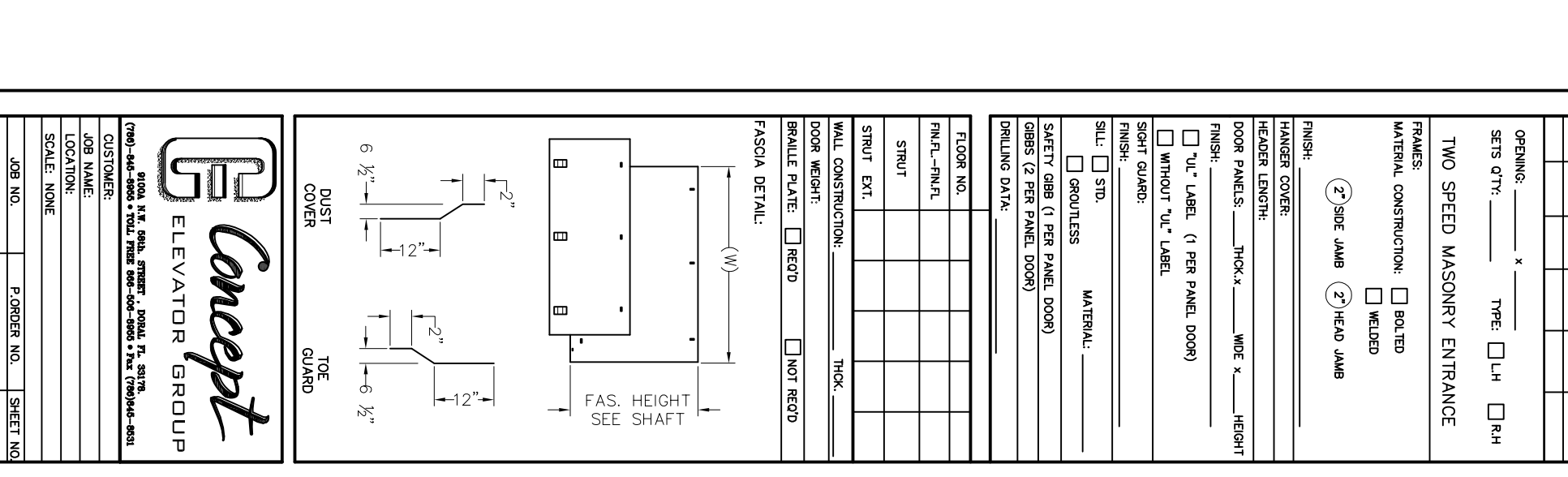
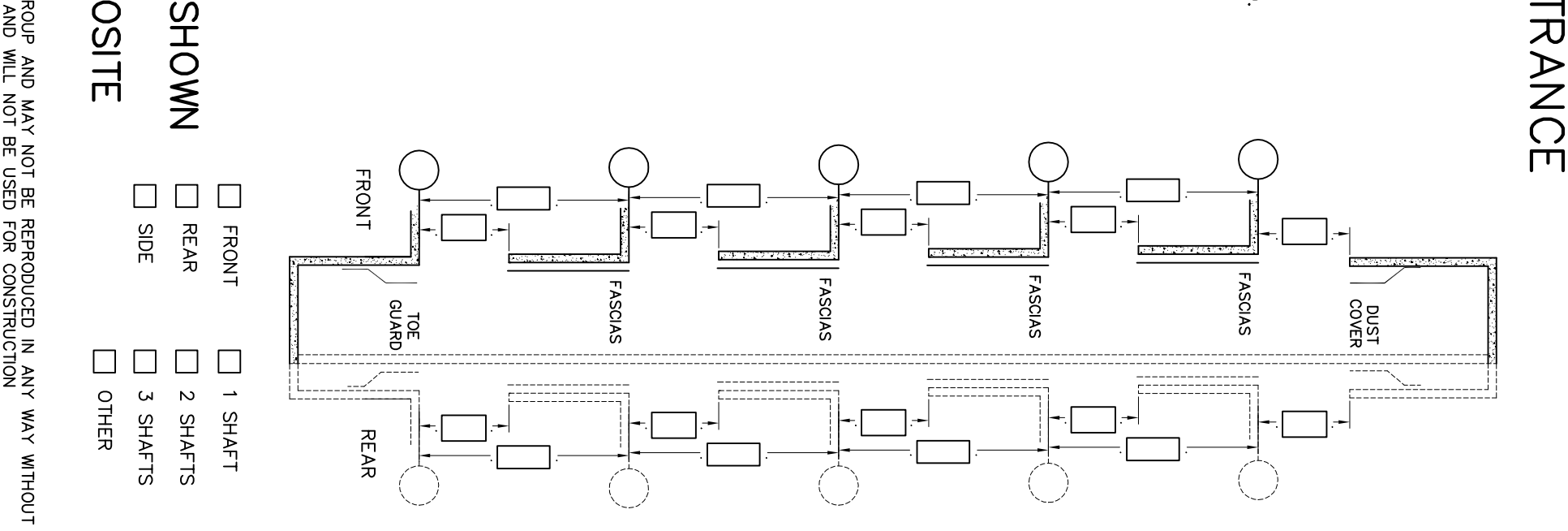
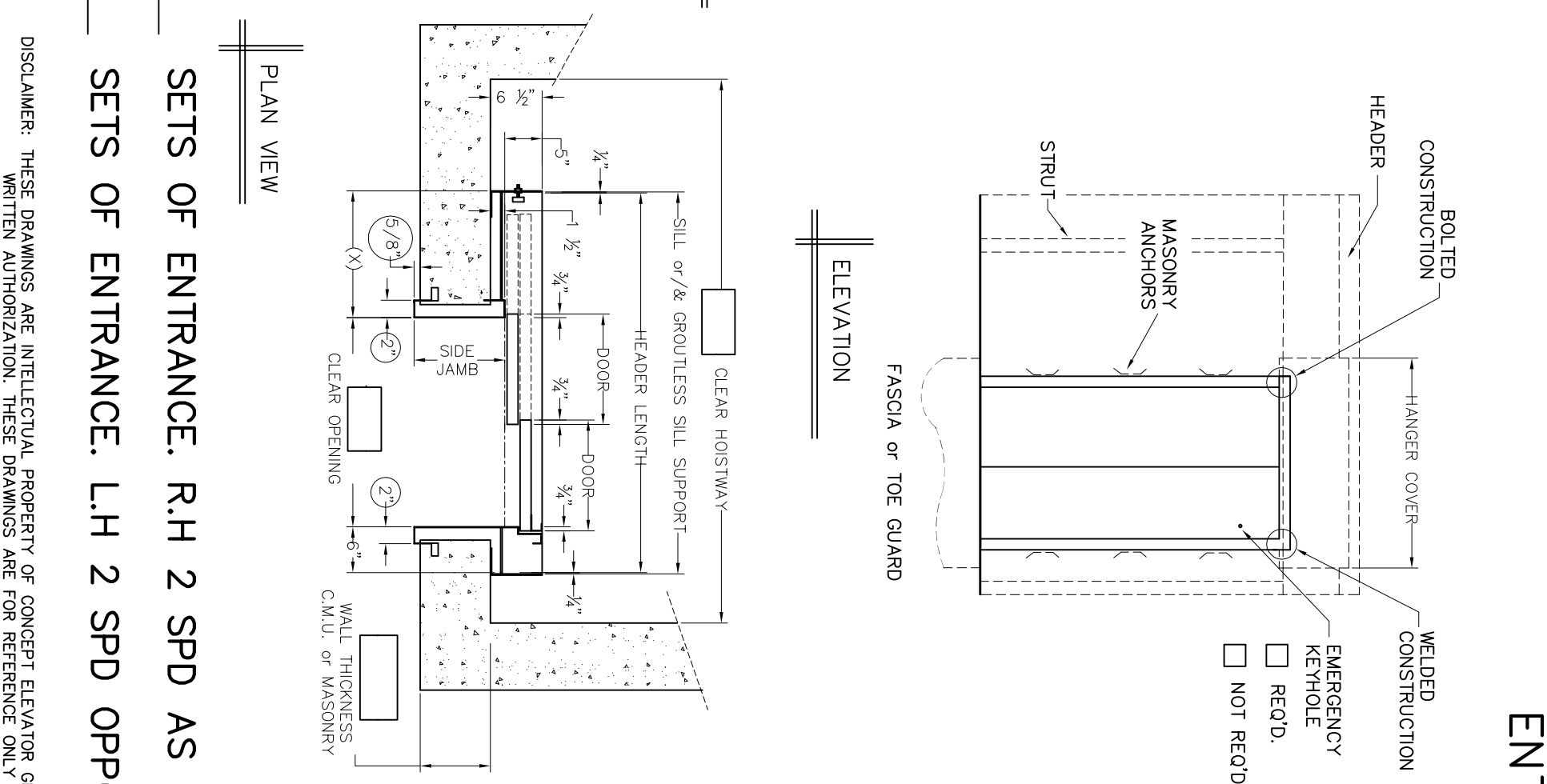
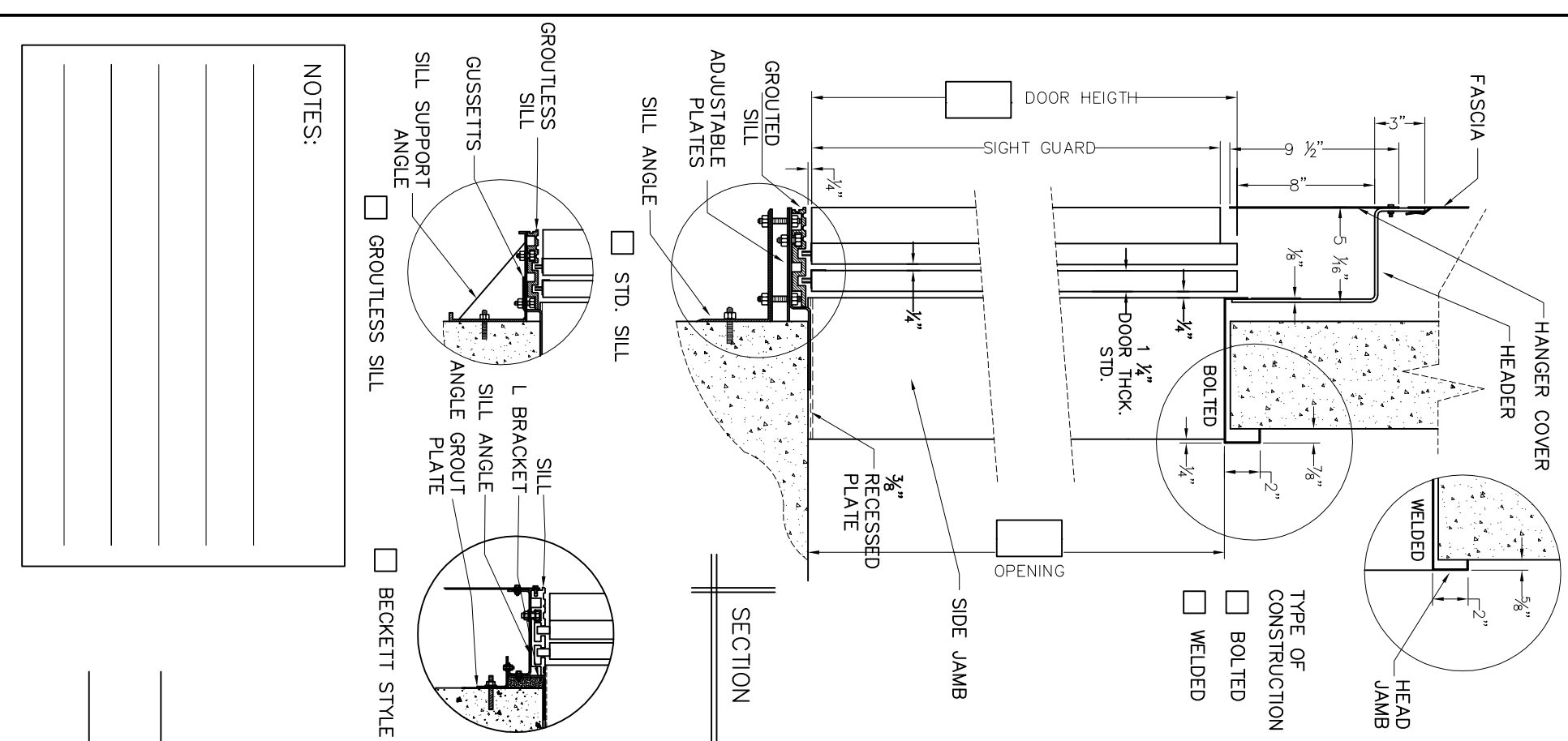


SURVEY SHEET. TWO SPEED MASONRY ENTRANCE



NOTES:

PLAN VIEW

SETS OF ENTRANCE. R.H 2 SPD AS SHOWN

SETS OF ENTRANCE. L.H 2 SPD OPPOSITE

DISCLAIMER: THESE DRAWINGS ARE INTELLECTUAL PROPERTY OF CONCEPT ELEVATOR GROUP AND MAY NOT BE REPRODUCED IN ANY WAY WITHOUT WRITTEN AUTHORIZATION. THESE DRAWINGS ARE FOR REFERENCE ONLY AND WILL NOT BE USED FOR CONSTRUCTION

REV	PRINTS	SEPARS	TO	DATE	FOR

OPENING: _____ x _____ TYPE: L.H R.H

SETS QTY: _____

TWO SPEED MASONRY ENTRANCE

FRAMES: MATERIAL CONSTRUCTION: BOLTED WELDED

FINISH: 2" SIDE JAMB 2" HEAD JAMB

HANGER COVER: _____

HEADER LENGTH: _____

DOOR PANELS: _____ THICK x _____ WIDE x _____ HEIGHT

FINISH: _____

"UL" LABEL (1 PER PANEL DOOR)

WITHOUT "UL" LABEL

SIGHT GUARD: _____

FINISH: _____

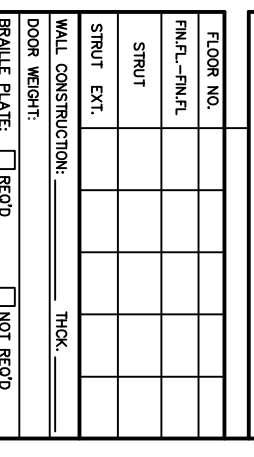
SILL: STD. GROUDEDLESS MATERIAL: _____

SAFETY GIBB (1 PER PANEL DOOR)

GIBBS (2 PER PANEL DOOR)

DRILLING DATA: _____

FLOOR NO.	FIN.FL.-FIN.FL.	STRUT	STRUT EXT.	WALL CONSTRUCTION:	THICK.	DOOR WEIGHT:



3100A N.W. 90th STREET, DORAL, FL. 33178

(708) 946-8800 • TOLL FREE 800-466-8800 • FAX (708)946-8831

CUSTOMER: _____

JOB NAME: _____

LOCATION: _____

SCALE: NONE

JOB NO. _____ P. ORDER NO. _____ SHEET NO. _____