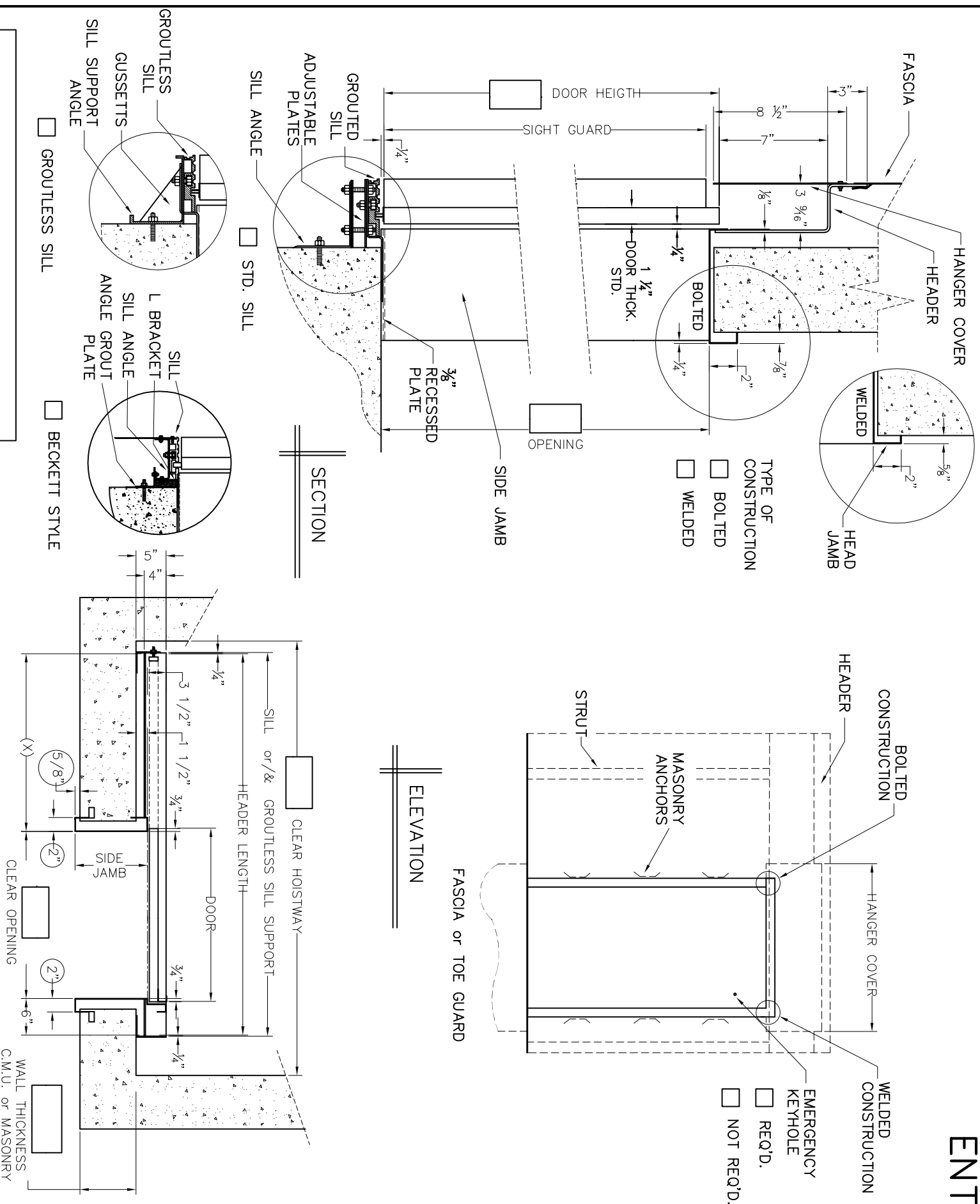
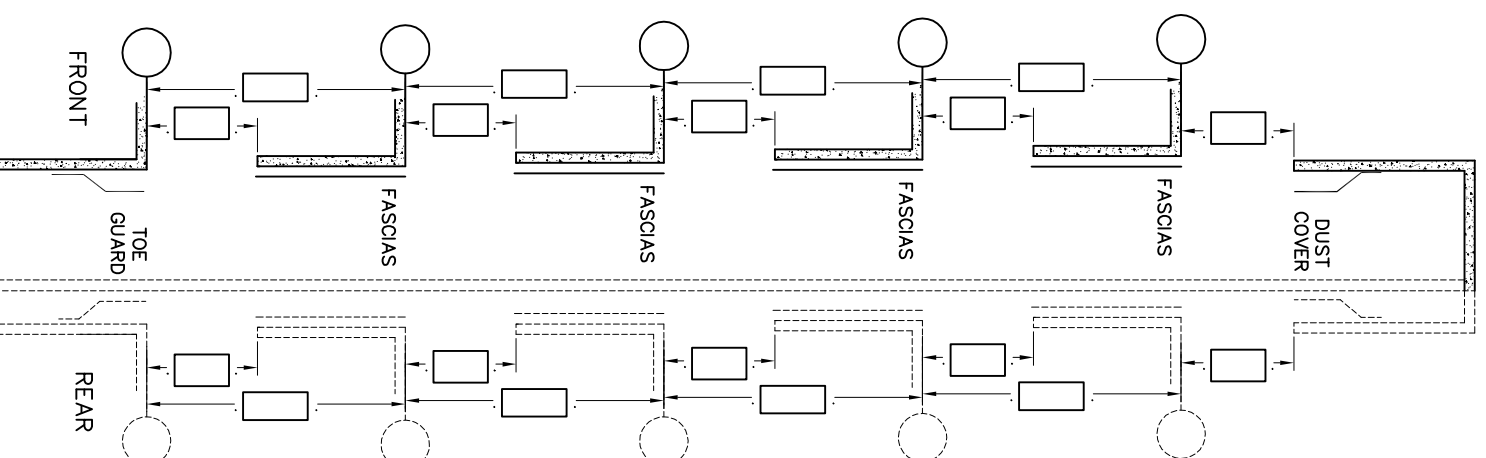


# SURVEY SHEET. SINGLE SLIDE MASONRY ENTRANCE



TYPE OF CONSTRUCTION  
 BOLTED  
 WELDED

EMERGENCY KEYHOLE  
 REQ'D.  
 NOT REQ'D.



REV	PRINTS	SEPARS	TO	DATE	FOR
REVISION AND PRINT RECORD					
OPENING: _____ x _____ TYPE: <input type="checkbox"/> L.H. <input type="checkbox"/> R.H. SETS QTY: _____					
SINGLE SLIDE MASONRY ENTRANCE					
FRAMES: MATERIAL CONSTRUCTION: <input type="checkbox"/> BOLTED <input type="checkbox"/> WELDED <input checked="" type="checkbox"/> 2" SIDE JAMB <input checked="" type="checkbox"/> 2" HEAD JAMB					
FINISH: HANGER COVER: _____ HEADER LENGTH: _____ THICK x _____ WIDE x _____ HEIGHT DOOR PANELS: _____ THICK x _____ WIDE x _____ HEIGHT FINISH: _____ <input type="checkbox"/> "UL" LABEL (1 PER PANEL DOOR) <input type="checkbox"/> WITHOUT "UL" LABEL					
SIGHT GUARD: _____ FINISH: _____ SILL: <input type="checkbox"/> STD. <input type="checkbox"/> GROINLESS MATERIAL: _____ <input type="checkbox"/> GROINLESS					
SAFETY GIBB (1 PER PANEL DOOR) GIBBS (2 PER PANEL DOOR) DRILLING DATA: _____					
FLOOR NO. _____ FIN.F.-FIN.F. _____ STRUT _____ STRUT EXT. _____ WALL CONSTRUCTION: _____ THICK _____ DOOR WEIGHT: _____ BRAILLE PLATE: <input type="checkbox"/> RECD <input type="checkbox"/> NOT RECD					
FASCIA DETAIL: FAS. HEIGHT SEE SHAFT					

NOTES:  
 \_\_\_\_\_  
 \_\_\_\_\_  
 \_\_\_\_\_  
 \_\_\_\_\_

PLAN VIEW

SECTION

ELEVATION

SETS OF ENTRANCE. R.H 1 SPD AS SHOWN

SETS OF ENTRANCE. L.H 1 SPD OPPOSITE

- FRONT  1 SHAFT
- REAR  2 SHAFTS
- SIDE  3 SHAFTS
- OTHER

DISCLAIMER: THESE DRAWINGS ARE INTELLECTUAL PROPERTY OF CONCEPT ELEVATOR GROUP AND MAY NOT BE REPRODUCED IN ANY WAY WITHOUT WRITTEN AUTHORIZATION. THESE DRAWINGS ARE FOR REFERENCE ONLY AND WILL NOT BE USED FOR CONSTRUCTION

6100A N.W. 90th STREET, DORAL, FL 33178  
 (786) 546-5800 • TOLL FREE 800-466-8800 • FAX (786)946-8831

CUSTOMER: \_\_\_\_\_  
 JOB NAME: \_\_\_\_\_  
 LOCATION: \_\_\_\_\_  
 SCALE: NONE

JOB NO. \_\_\_\_\_ P. ORDER NO. \_\_\_\_\_ SHEET NO. \_\_\_\_\_