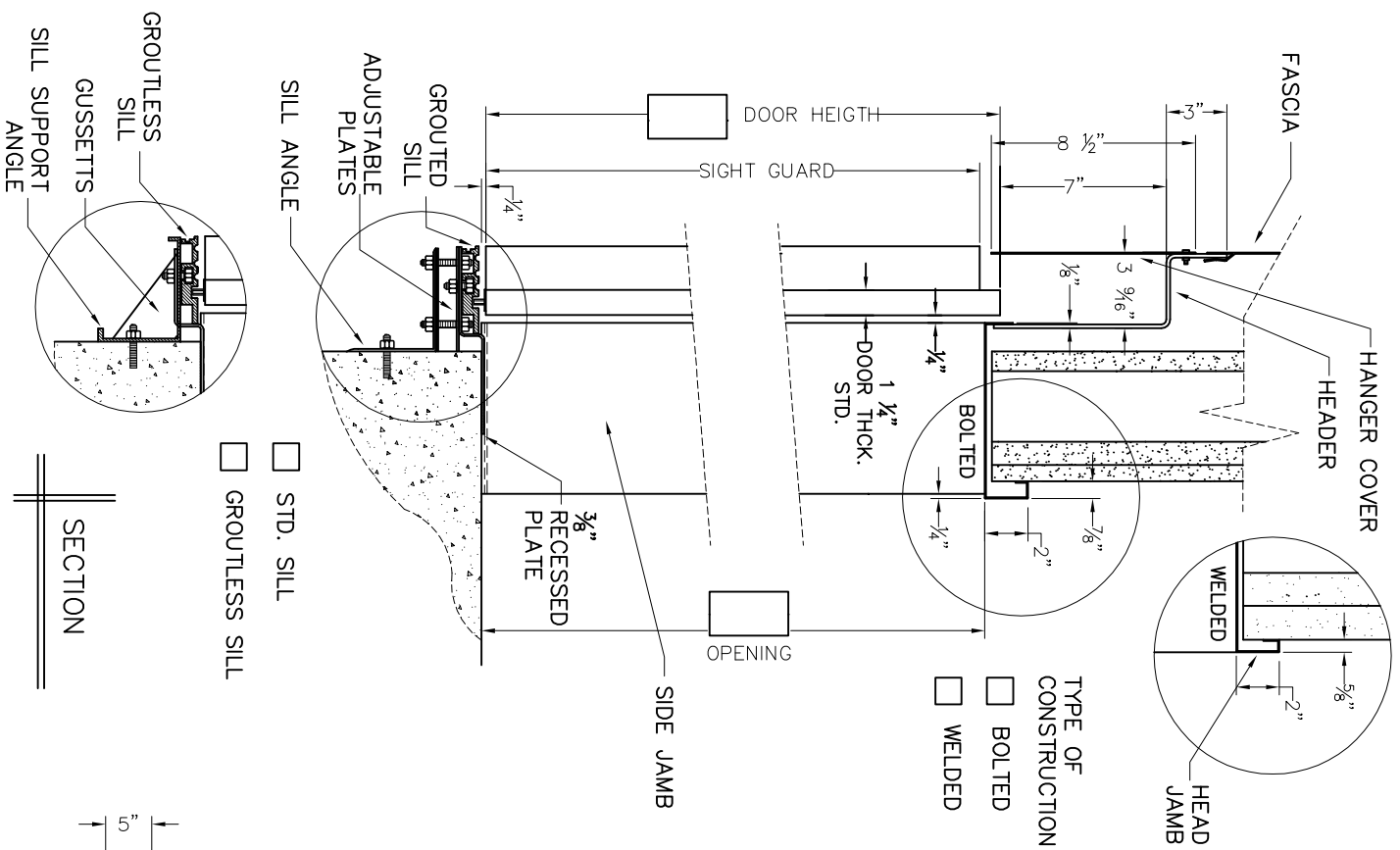
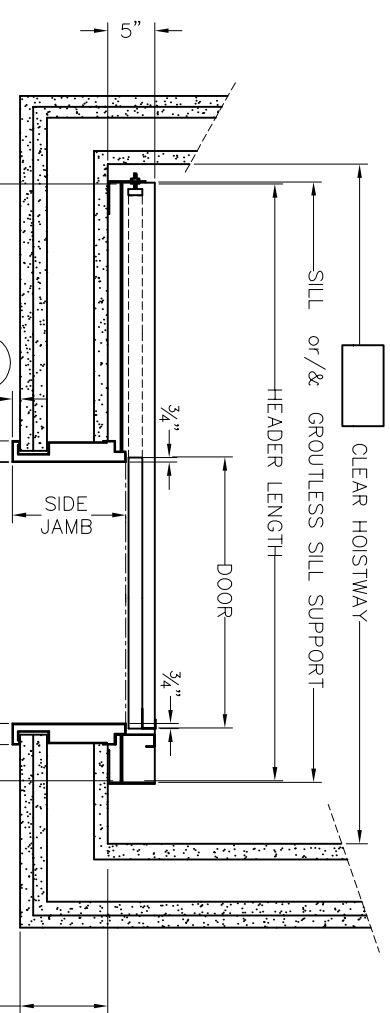


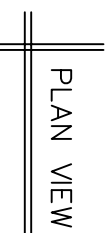
SURVEY SHEET. SINGLE SLIDE DRY WALL ENTRANCE



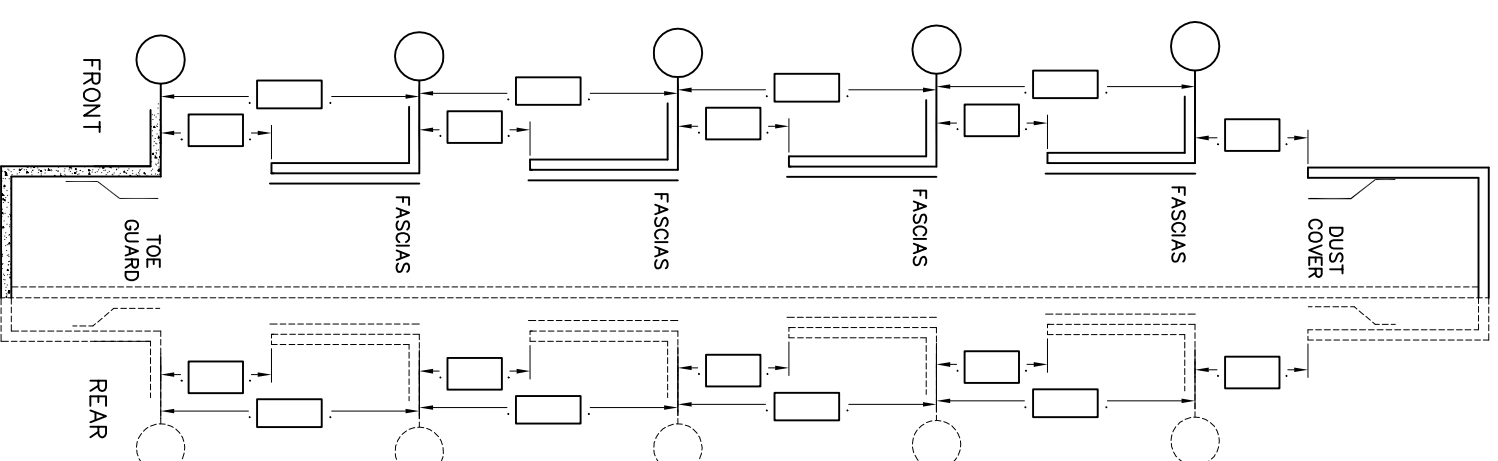
TYPE OF CONSTRUCTION
 BOLTED
 WELDED



EMERGENCY KEYHOLE
 REQ'D.
 NOT REQ'D.



PLAN VIEW



- FRONT
- REAR
- SIDE
- 1 SHAFT
- 2 SHAFTS
- 3 SHAFTS
- OTHER

SETS OF ENTRANCE. R.H 1 SPD AS SHOWN
 SETS OF ENTRANCE. L.H 1 SPD OPPOSITE

NOTES:

- STD. SILL
- GROUTLESS SILL

SECTION

DISCLAIMER: THESE DRAWINGS ARE INTELLECTUAL PROPERTY OF CONCEPT ELEVATOR GROUP AND MAY NOT BE REPRODUCED IN ANY WAY WITHOUT WRITTEN AUTHORIZATION. THESE DRAWINGS ARE FOR REFERENCE ONLY AND WILL NOT BE USED FOR CONSTRUCTION

REV	PRINTS	SEPARS	TO	DATE	FOR

OPENING: _____ x _____ TYPE: L.H R.H
 SETS QTY: _____

SINGLE SLIDE DRY WALL ENTRANCE

FRAMES:

MATERIAL CONSTRUCTION: BOLTED WELDED

"UL" LABEL (1 PER FRAME)

"UL" LABEL (1 PER JAMB / ONLY CA.)

FINISH: _____

HANGER COVER: _____

HEADER LENGTH: _____

DOOR PANELS: _____ THICK x _____ WIDE x _____ HEIGHT

FINISH: _____

"UL" LABEL (1 PER PANEL DOOR)

WITHOUT "UL" LABEL

SIGHT GUARD: _____

FINISH: _____

SILL: STD. GROUTLESS MATERIAL: _____

SAFETY GIBB (1 PER PANEL DOOR)

GIBBS (2 PER PANEL DOOR)

DRILLING DATA: _____

FLOOR NO. _____

FIN.F.-FIN.F. _____

STRUT _____

STRUT EXT. _____

WALL CONSTRUCTION: _____ THICK _____

DOOR WEIGHT: _____

BRAILLE PLATE: RECD NOT RECD

FASCIA DETAIL: _____

_____ (W) _____

FAS. HEIGHT SEE SHAFT



3100A N.W. 39th STREET, DORAL, FL 33178
 (786) 546-5800 • TOLL FREE 800-469-8800 • FAX (786)946-8831

CUSTOMER: _____

JOB NAME: _____

LOCATION: _____

SCALE: NONE

JOB NO. _____ P. ORDER NO. _____ SHEET NO. _____