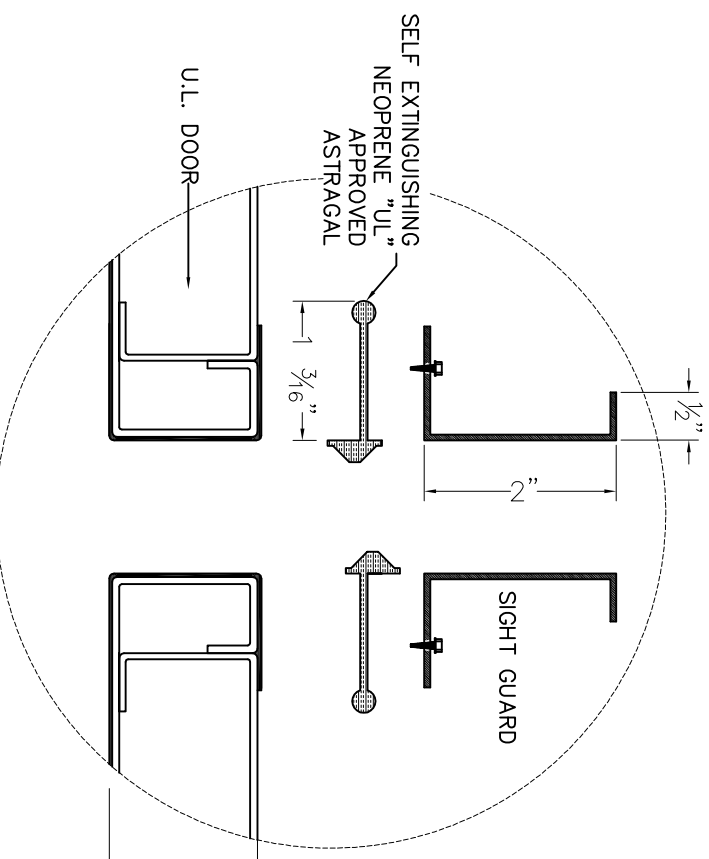
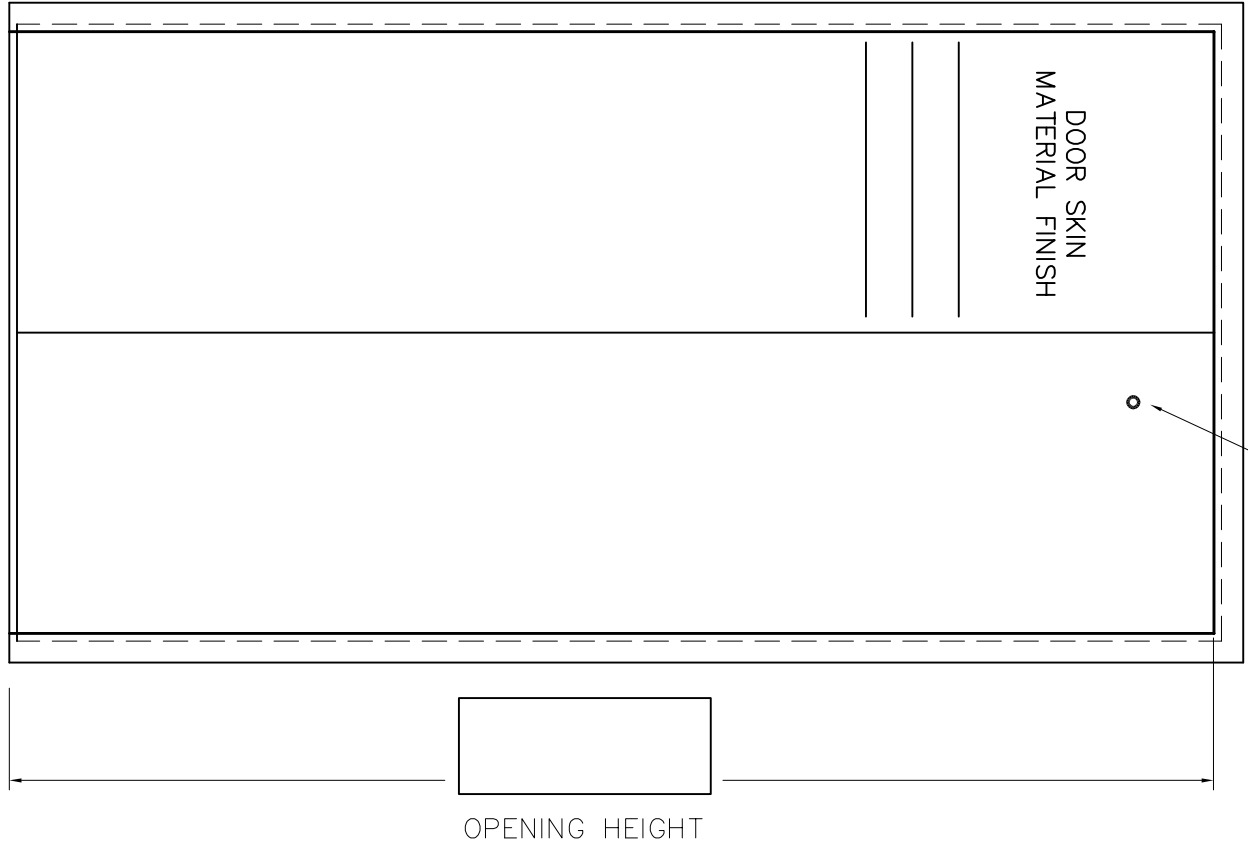
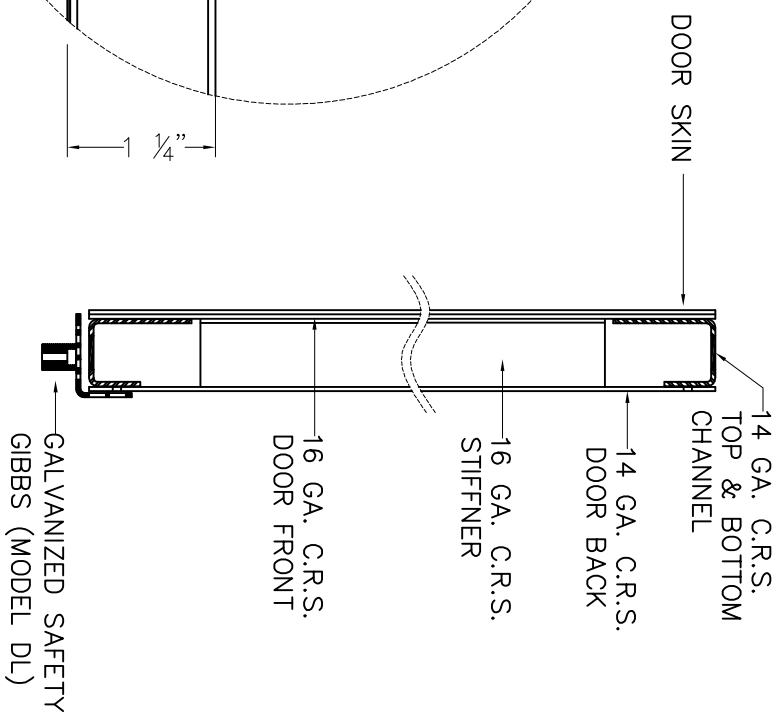


- REQ'D.
- NOT REQ'D.

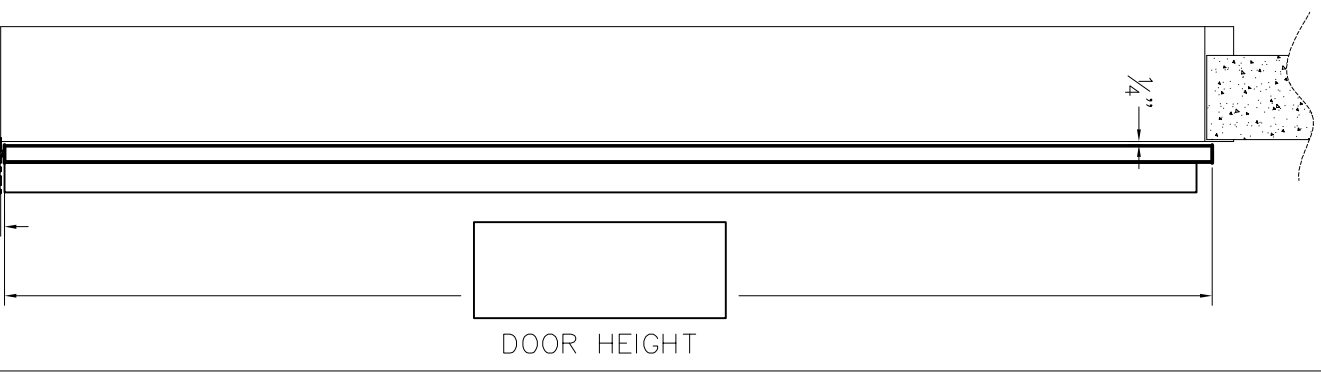


SECTION THROUGH
DOOR



(HALL SIDE)

CENTER OPENING HATCH DOORS



DOOR HEIGHT

REVISION AND PRINT RECORD			
REV	PRINTS	SERIALS	TO DATE FOR

DOOR PANELS: x x

"UL" LABEL (1 per PANEL DOOR)

FINISH:

DRILLING:

SIGHT GUARD FINISH:

GIBBS REQUIRED: (2 PER DOOR).

HOIST WAY DOORS SAFETY RETAINER: (1 PER DOOR)

ASME A 17.1 a - 2002 CODE COMPLIANT.

TOLERANCES UNLESS OTHERWISE SPECIFIED

1" (1.00)	25.4 MM OR LESS ±1/32 (0.31)	.793 MM
OVER 1" (1.00)	25.4 MM LESS THAN 12" (12.00)	304.80 MM ±1/16" (0.625) 1.59 MM
OVER 12" (12.00)	304.80 MM LESS THAN 60" (60.00)	1524 MM ±1/8" (1.25) 3.18 MM
OVER 60" (60.00)	1524 MM TO 120" (120.00)	3048 MM ±1/4" (2.50) 6.35 MM

CONCEPT ELEVATOR.
GROUP, LLC.

9100A N.W. 98th STREET, DORAL, FL 33178
(786)-945-8985 • TOLL FREE 866-506-8985 • Fax (786)945-8631

CUSTOMER:

JOB NAME:

LOCATION:

ARCHITECT:

SCALE: NONE

DRAWN BY:

JOB NO. P.ORDER NO. SHEET NO.

DISCLAIMER: THESE DRAWINGS ARE INTELLECTUAL PROPERTY OF CONCEPT ELEVATOR GROUP AND MAY NOT BE REPRODUCED IN ANY WAY WITHOUT WRITTEN AUTHORIZATION. THESE DRAWINGS ARE FOR REFERENCE ONLY AND WILL NOT BE USED FOR CONSTRUCTION