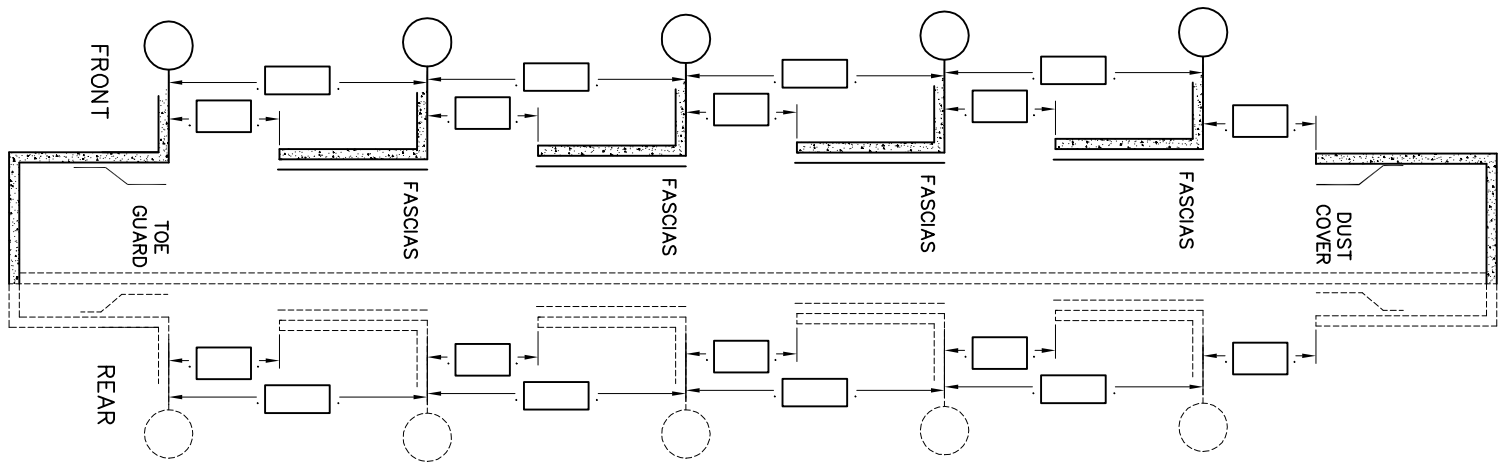
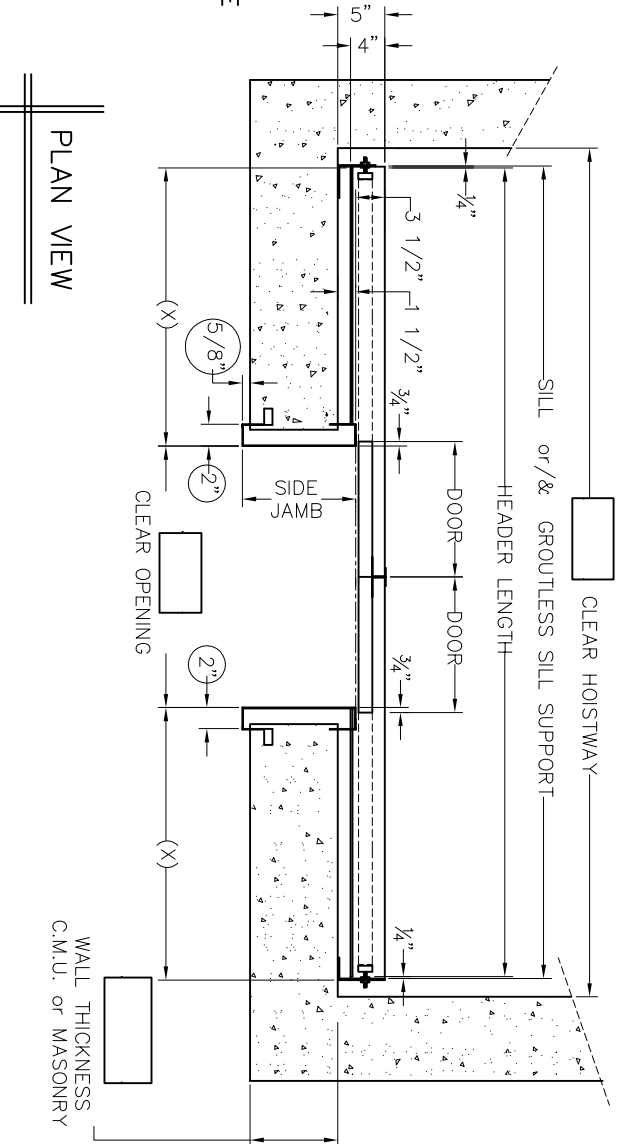
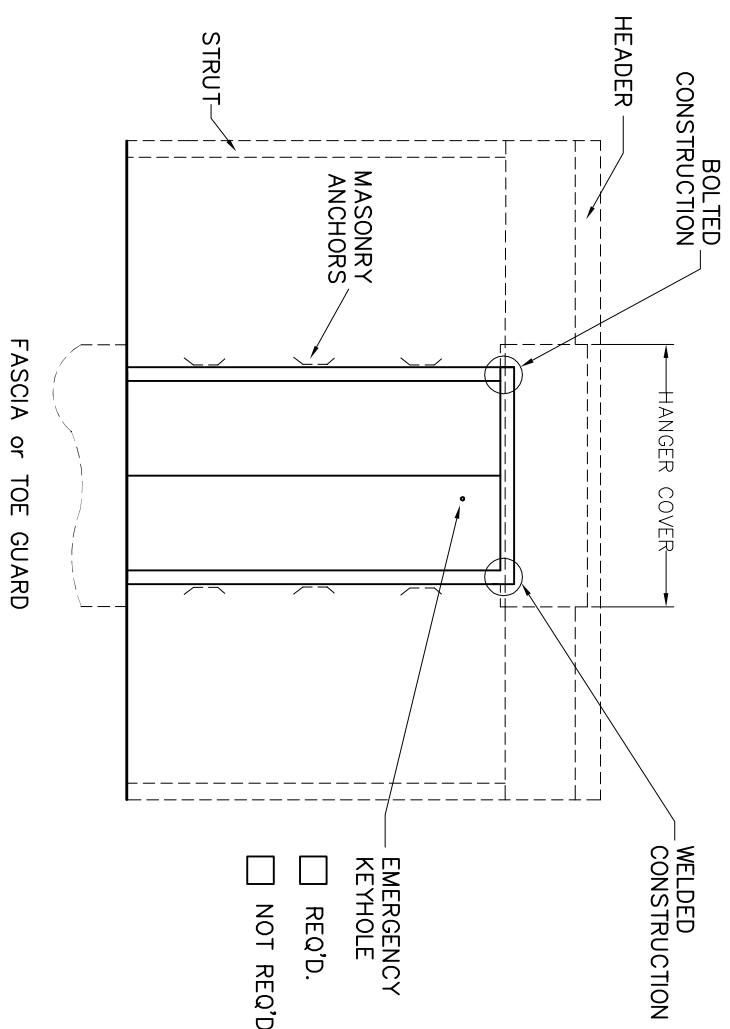
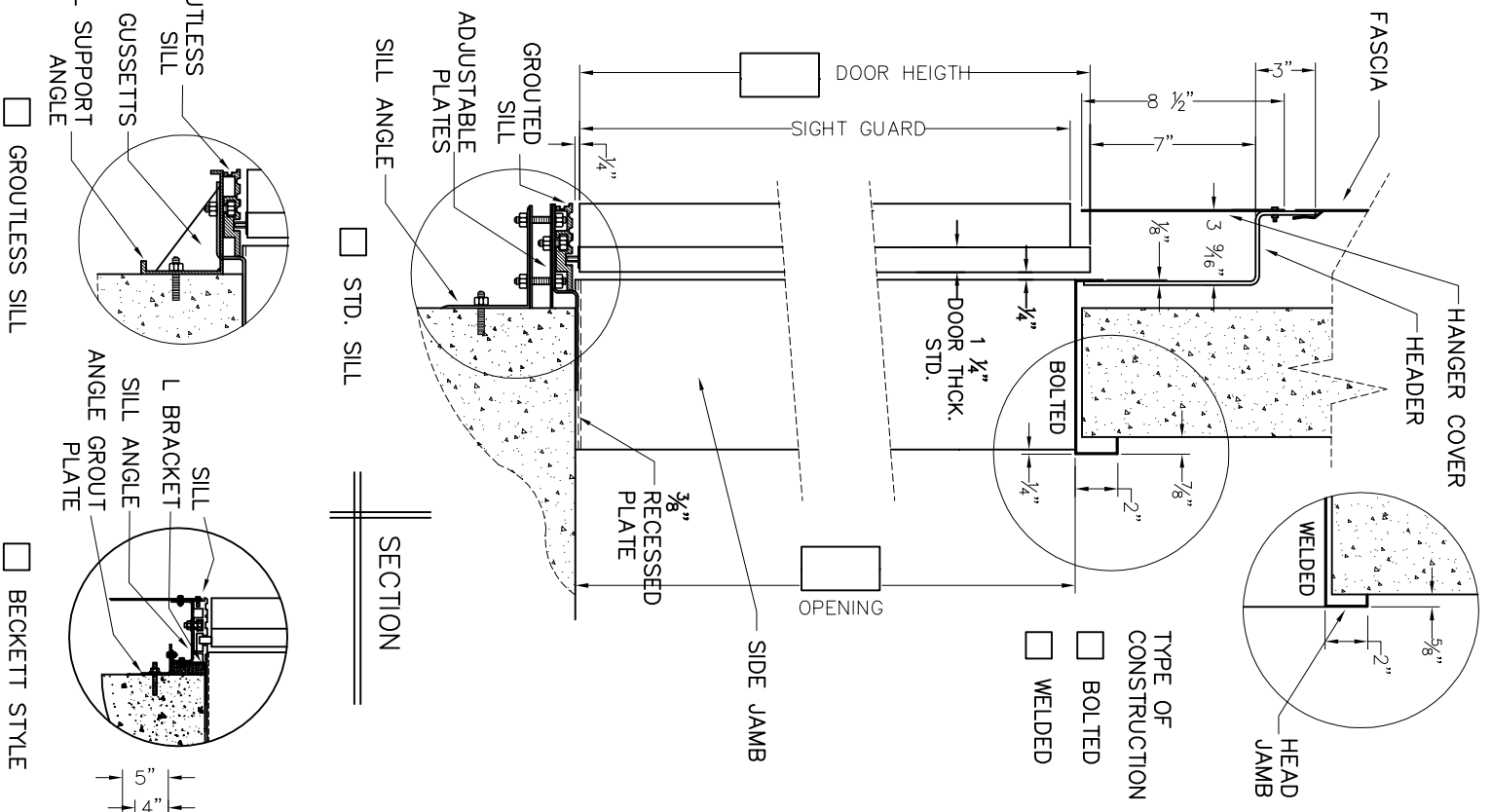


SURVEY SHEET. CENTER OPENING 1 SPD MASONRY ENTRANCE



SETS OF ENTRANCE. C.O 1 SPD AS SHOWN

- FRONT 1 SHAFT
- REAR 2 SHAFTS
- SIDE 3 SHAFTS
- OTHER

NOTES:

DISCLAIMER: THESE DRAWINGS ARE INTELLECTUAL PROPERTY OF CONCEPT ELEVATOR GROUP AND MAY NOT BE REPRODUCED IN ANY WAY WITHOUT WRITTEN AUTHORIZATION. THESE DRAWINGS ARE FOR REFERENCE ONLY AND WILL NOT BE USED FOR CONSTRUCTION

REV	PRINTS	SEPIAS	TO	DATE	FOR

OPENING: _____ x _____
 SETS QTY: _____
**CENTER OPENING 1 SPD.
 MASONRY ENTRANCE**

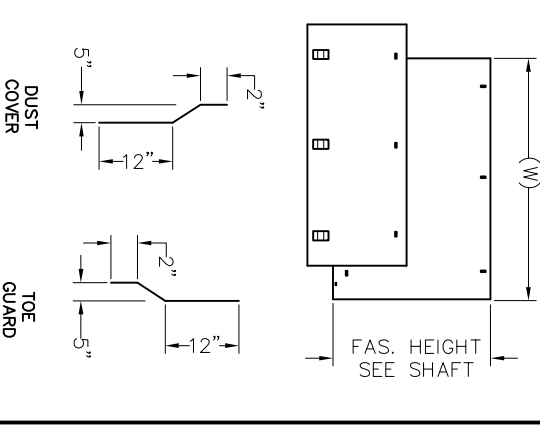
FRAMES:
 MATERIAL CONSTRUCTION: BOLTED WELED
 2" SIDE JAMB 2" HEAD JAMB

FINISH:
 HANGER COVER: _____
 HEADER LENGTH: _____ THICK x _____ WIDE x _____ HEIGHT
 DOOR PANELS: _____ THICK x _____ WIDE x _____ HEIGHT
 FINISH: _____
 "UL" LABEL (1 PER PANEL DOOR)
 WITHOUT "UL" LABEL
 SIGHT GUARD: _____
 FINISH: _____

SILL: STD. MATERIAL: _____
 GROUTLESS
 SAFETY GIBB (1 PER PANEL DOOR)
 GIBBS (2 PER PANEL DOOR)
 DRILLING DATA: _____

FLOOR NO. _____
 FIN.F.-FIN.F. _____
 STRUT _____
 STRUT EXT. _____
 WALL CONSTRUCTION: _____ THICK _____
 DOOR WEIGHT: _____

BRaille PLATE: RECD NOT RECD
FASCIA DETAIL:



1100A N.W. 99th STREET, DORAL, FL 33178
 (708) 546-5800 • TOLL FREE 800-469-5800 • FAX (708)946-8631
 CUSTOMER: _____
 JOB NAME: _____
 LOCATION: _____
 SCALE: NONE
 JOB NO. _____ P. ORDER NO. _____ SHEET NO. _____