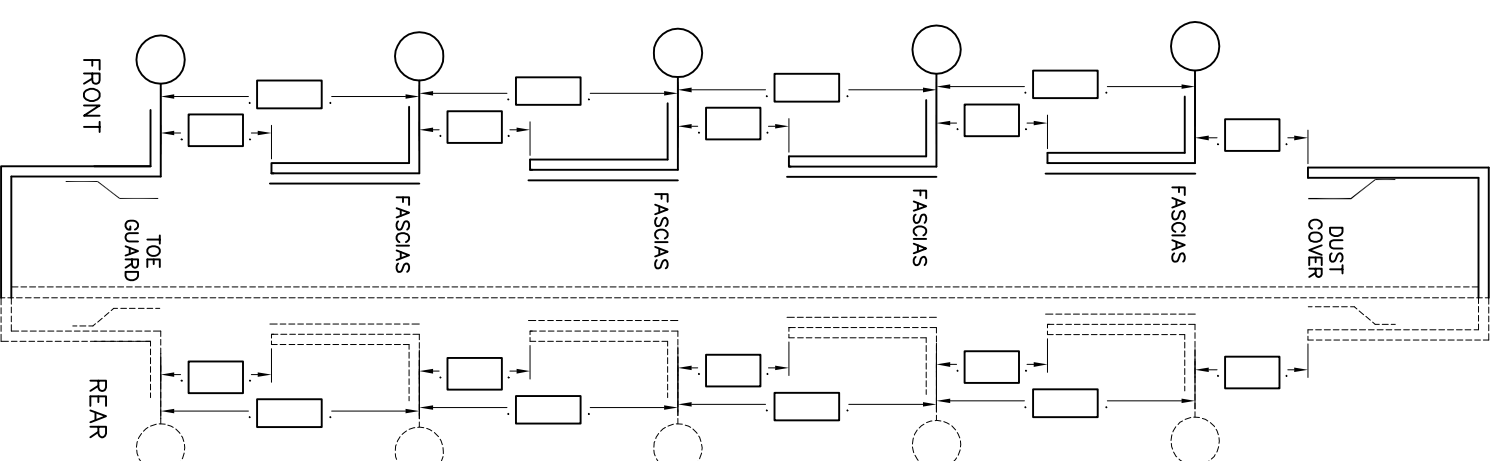
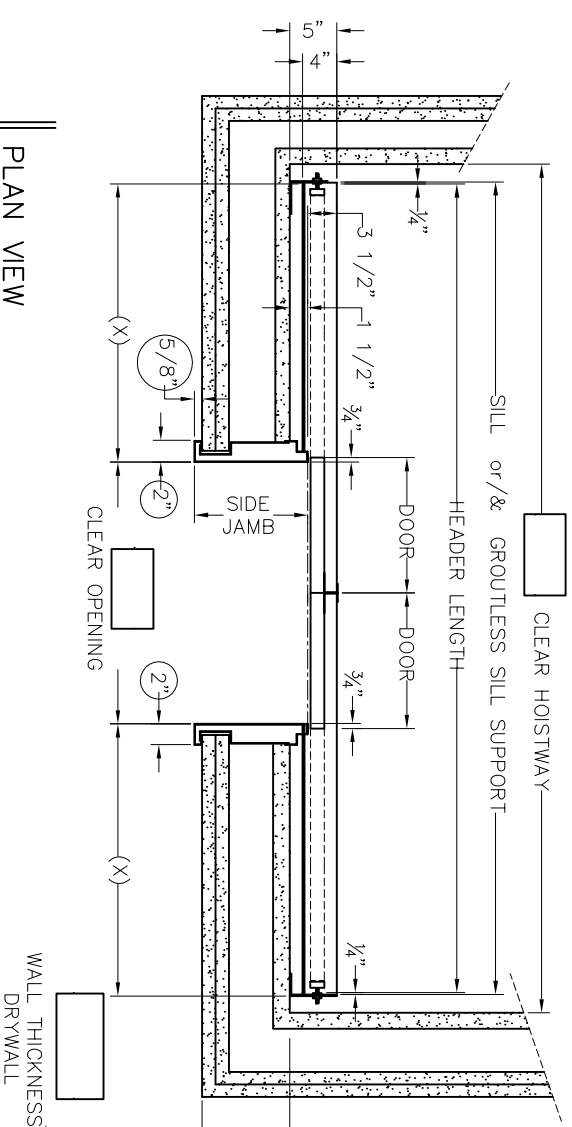
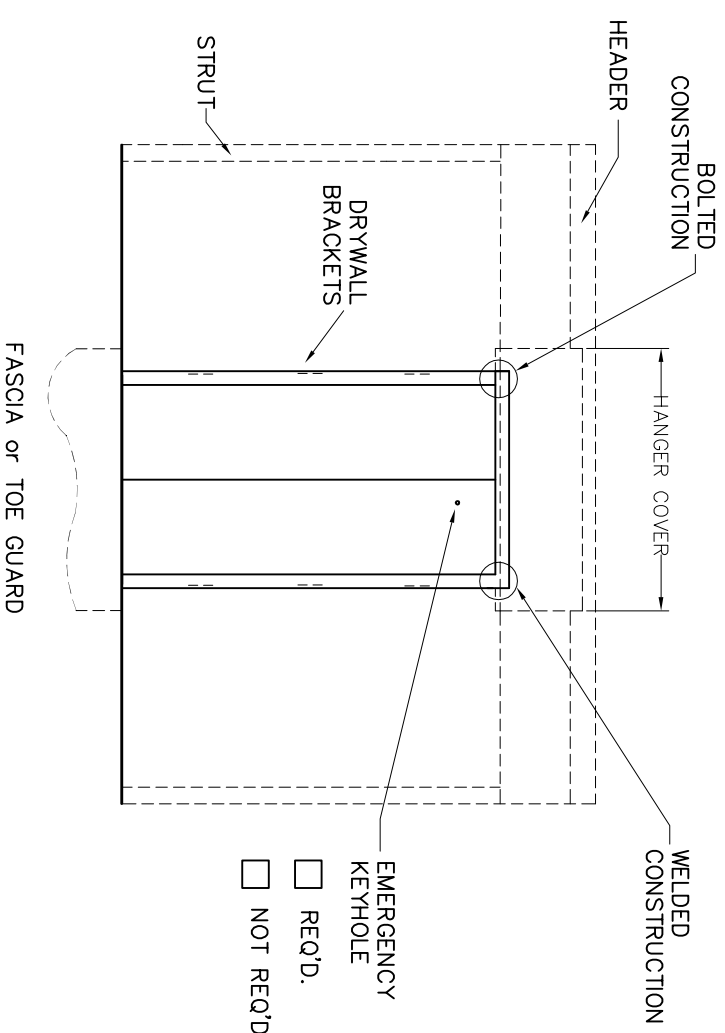
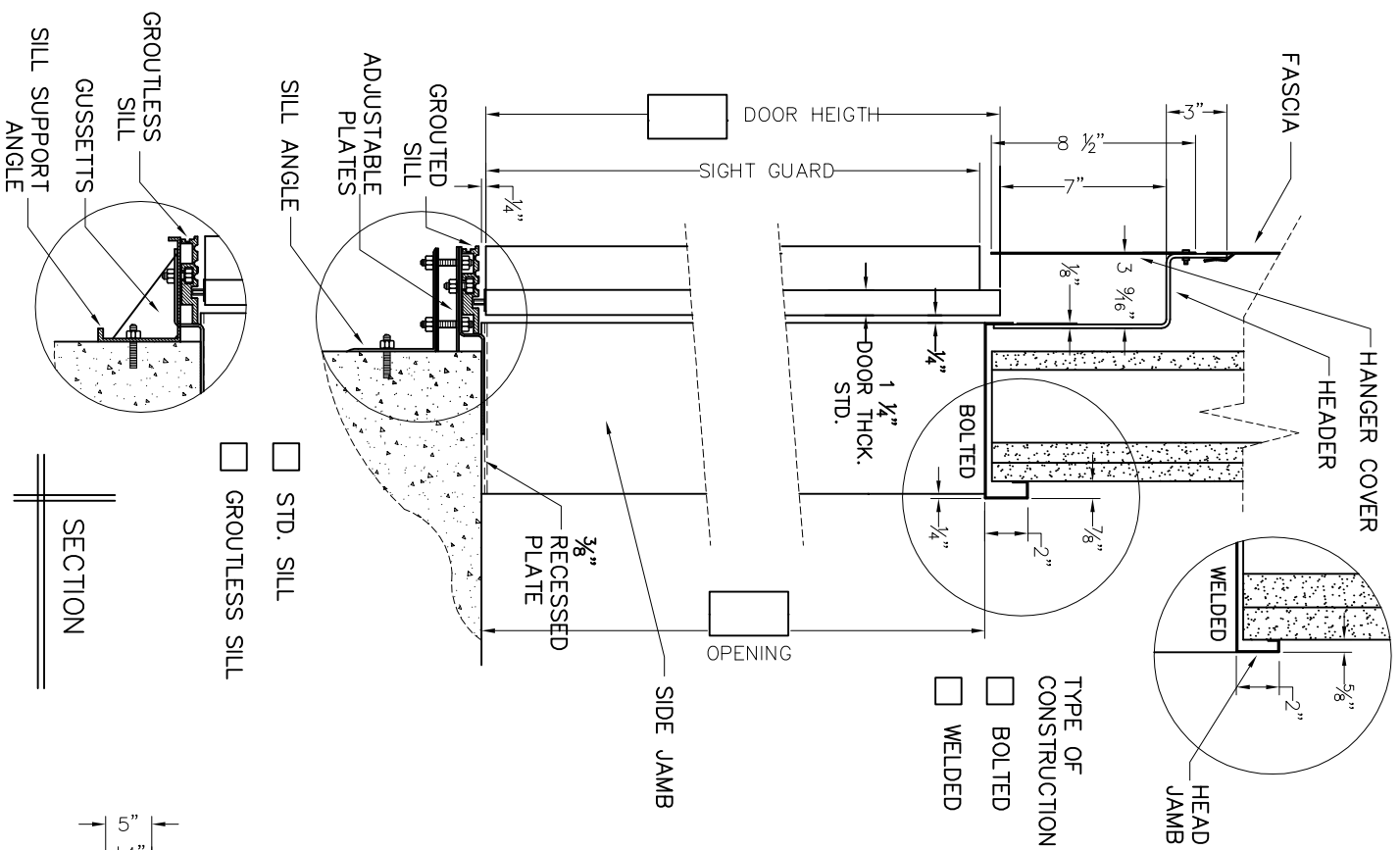


# SURVEY SHEET. CENTER OPENING 1 SPD DRYWALL ENTRANCE



## SETS OF ENTRANCE. C.O 1 SPD AS SHOWN

- FRONT
- REAR
- SIDE
- 1 SHAFT
- 2 SHAFTS
- 3 SHAFTS
- OTHER

NOTES:

\_\_\_\_\_

\_\_\_\_\_

\_\_\_\_\_

\_\_\_\_\_

\_\_\_\_\_

DISCLAIMER: THESE DRAWINGS ARE INTELLECTUAL PROPERTY OF CONCEPT ELEVATOR GROUP AND MAY NOT BE REPRODUCED IN ANY WAY WITHOUT WRITTEN AUTHORIZATION. THESE DRAWINGS ARE FOR REFERENCE ONLY AND WILL NOT BE USED FOR CONSTRUCTION

REV	PRINTS	SEPIAS	TO	DATE	FOR

OPENING: \_\_\_\_\_ x \_\_\_\_\_ TYPE:  LH  RH  
 SETS QTY: \_\_\_\_\_

**CENTER OPNG. DRY WALL ENTRANCE**

FRAMES:  
 MATERIAL CONSTRUCTION:  BOLTED  WELDED  
 2" SIDE JAMB  2" HEAD JAMB  
 1/2" LABEL (1 PER FRAME)  
 1/2" LABEL (1 PER JAMB / ONLY CA.)

FINISH: \_\_\_\_\_  
 HANGER COVER: \_\_\_\_\_  
 HEADER LENGTH: \_\_\_\_\_

DOOR PANELS: \_\_\_\_\_ THICK x \_\_\_\_\_ WIDE x \_\_\_\_\_ HEIGHT  
 FINISH: \_\_\_\_\_  
 1/2" LABEL (1 PER PANEL DOOR)  
 WITHOUT 1/2" LABEL

SIGHT GUARD: \_\_\_\_\_  
 FINISH: \_\_\_\_\_  
 SILL:  STD. MATERIAL: \_\_\_\_\_  
 GROUTLESS

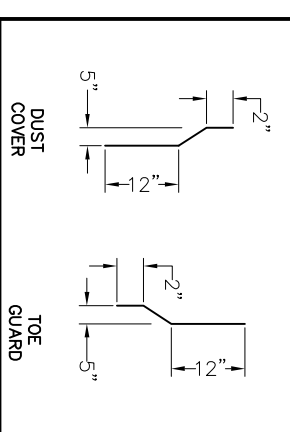
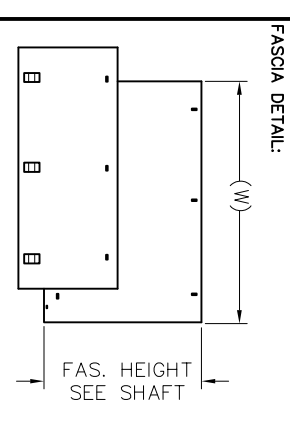
SAFETY GIBB (1 PER PANEL DOOR)  
 GIBBS (2 PER PANEL DOOR)  
 DRILLING DATA: \_\_\_\_\_

FLOOR NO. \_\_\_\_\_  
 FIN.FL.-FIN.FL. \_\_\_\_\_  
 STRUT \_\_\_\_\_  
 STRUT EXT. \_\_\_\_\_

WALL CONSTRUCTION: \_\_\_\_\_ THICK \_\_\_\_\_  
 DOOR WEIGHT: \_\_\_\_\_

BRAILLE PLATE:  REC'D  NOT REC'D

FASCIA DETAIL: \_\_\_\_\_



3100A N.W. 99th STREET, DORAL, FL 33178  
 (786) 546-5800 • TOLL FREE 800-469-8800 • FAX (786)946-8831  
 CUSTOMER: \_\_\_\_\_  
 JOB NAME: \_\_\_\_\_  
 LOCATION: \_\_\_\_\_  
 SCALE: NONE  
 JOB NO. \_\_\_\_\_ P. ORDER NO. \_\_\_\_\_ SHEET NO. \_\_\_\_\_